

Powermix (MC)

High-Pigmentation Mixing: High-Precision, Energy-Efficient Across Viscosity Range

The Powermix (MC-series) is a high-performance dual-shaft dispersion process with a dual-blade high shear disc edge design, ideal for de-agglomeration. It outperforms traditional single-shaft dispersers with customized models for high viscosity and concentrate applications. Equipped with a precision-aligned high-balance shaft, it guarantees exceptional quality and efficient processing with minimal downtime.

Signifying versatility, the Powermix adeptly manages mill bases of different viscosities, enabling single-tank operations. Its energy-optimized design cuts down on power consumption, fostering cost-effectiveness. With a stainless steel jacketed tank and the pocketless valve, hygiene is ensured, and cleaning is simplified.

The Powermix is a remarkable solution for high pigmentation mixing, with precision engineering, durability, and a hygienic, user-friendly design.



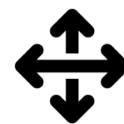
High Shear Disc

Enhances mixing and de-agglomeration for uniform results



Dual-Shaft Dispersion

Enhances performance, efficiency, and effectiveness



Versatile & Efficient

Handles High and Low Viscosity Mill Bases



Hygienic Design

Stainless Steel Tank & Pocketless Valve for Easy Cleaning.



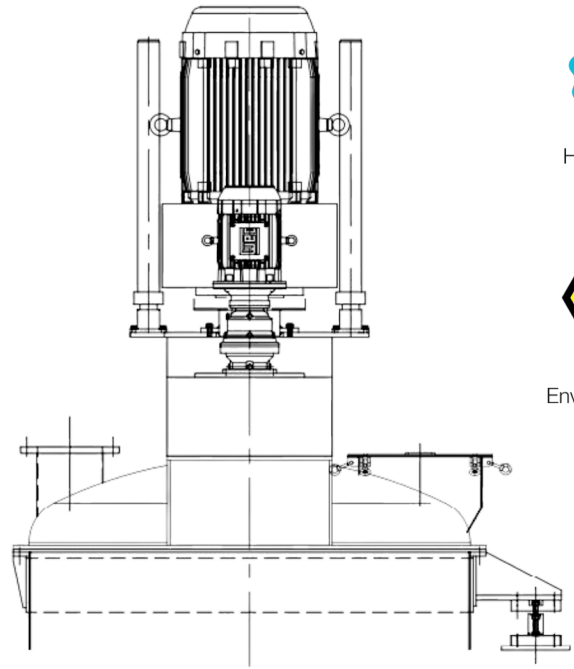
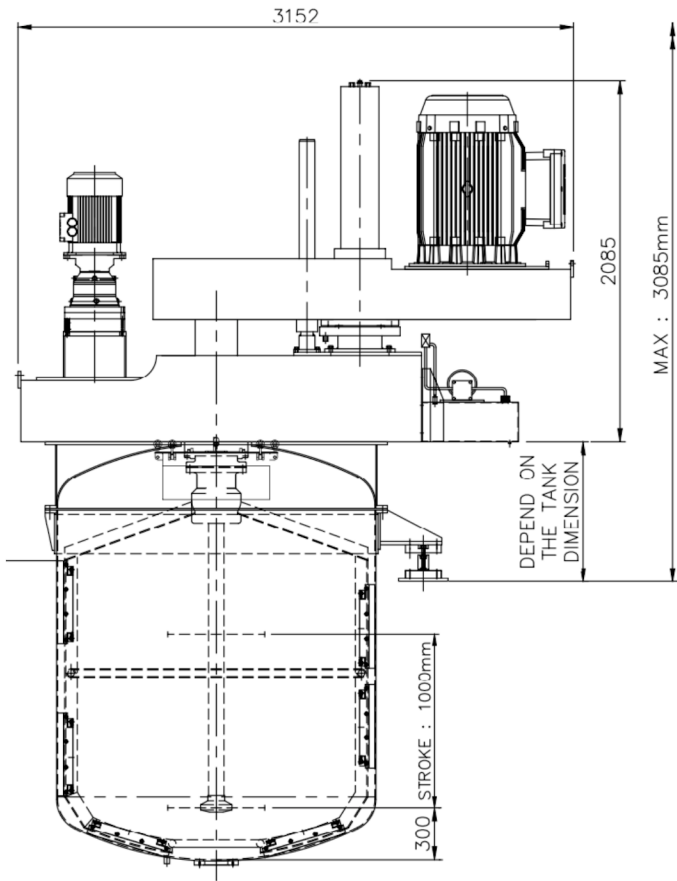
Durable

Built for longevity and minimal downtime. High quality steel



Energy-Optimized

Low energy consumption for cost-effective operation



SCADA + HMI Control & Monitoring Option



Hygienic Design Option



Hazardous Environment Option

Model	High speed Shaft Motor (kW)	Low Speed Shaft Motor (kW)	High speed Shaft (m/s)	Low Speed Shaft (rpm)	Mixing Capacity (l)
MC-75/10	55	0.75	25	10	2500
MC-100/10	75	0.75	25	10	3000
MC-125/15	90	11	25	10	3500
MC-150/15	110	11	25	10	4000
MC-180/20	132	15	25	10	5000
MC-220/30	160	22	25	10	6000
MC-300/30	225	22	25	10	8000
MC-350/30	250	22	25	10	10000
MC-480/40	355	30	25	10	15000



Cyclelect Nismix Pte. Ltd.

515 Yishun Industrial Park A, Singapore 768737
 T: +65 6868 6000 • E: hello@nismix.com.sg
 W: nismix.com.sg

70+ years of industrial powder and liquid mixer solutions, from concept to integration, empowering production plant owners.

