

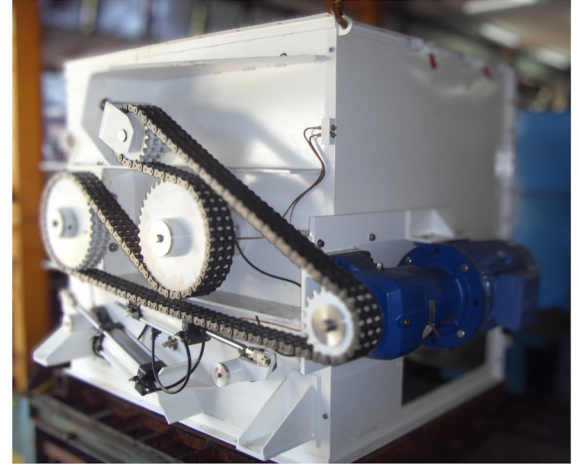
Powder Mixer (F)

Superior Powder Blending: Rapid and Homogeneous Mixing with Double Shaft Design

The Powder Mixer (F-series), a versatile solution for powder blending, offers an innovative design for precise and gentle dry ingredient mixing, and quick liquid additions, regardless of particle size or density.

Prominent features include rapid mixing, short mixing times, reduced power consumption, low-heat generation, and high capacity, addressing conventional mixing concerns. It assures homogenous blends, rectifying segregation issues, and maintaining mixing accuracy, thus confirming its high-performance standards.

The mixer's unique design allows for minor ingredients to blend seamlessly into major ones, reducing segregation upon discharge. Additionally, it facilitates rapid and precise liquid addition, enhancing its flexibility for different material types and viscosities. The Powder Mixer combines innovative design, efficiency, and versatility, providing high-quality, consistent mixes.



Quality Mixes

Delivers homogenous blends regardless of particle size and density



Rapid Operations

Short mixing time for high hourly capacity.



Fast Liquid Additions

Quick, precise addition of liquids of various material types.



Low Heat Mixing

Little heat is produced during mixing



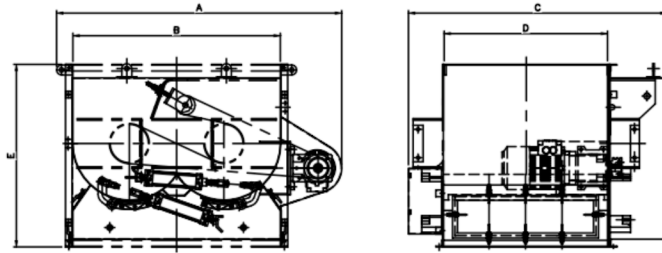
Durable

Built for longevity and minimal downtime. High quality steel



Energy-Optimized

Low energy consumption for cost-effective operation



BOX STYLE MIXER
F-20 ~ F-1500



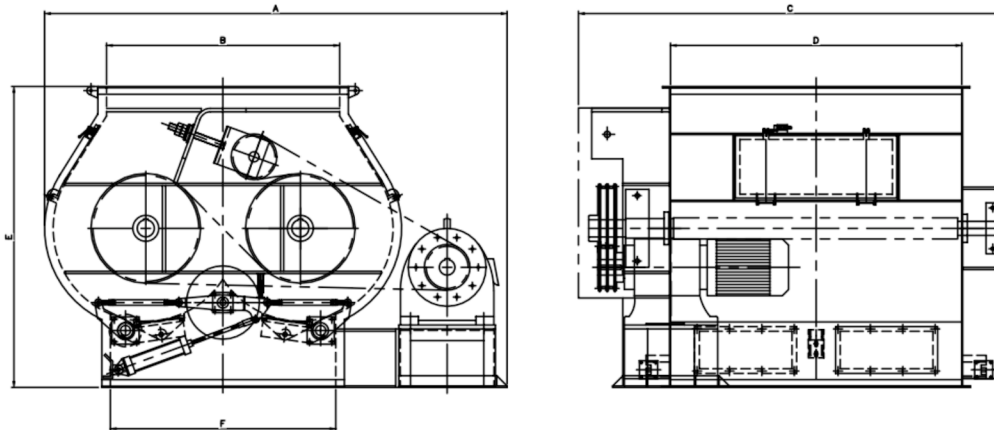
SCADA + HMI Control
& Monitoring Option



Hygienic Design
Option



Hazardous
Environment Option



F-2000 ~ F-5000

Model	Batch Cap (l)	Std (kW)	A (mm)	B (mm)	C (mm)	D (mm)	E (mm)	F (mm)
F-6	6	0.37	500	370	710	195	440	
F-20	20	0.75	660	470	900	400	485	400
F-60	60	2.2	910	680	930	570	610	
F-120	120	3	1155	840	1140	720	930	
F-200	200	4	1310	1000	1300	850	950	
F-350	350	5.5	1630	1250	1490	1000	1100	
F-500	500	7.5	1720	1360	1650	1160	1180	
F-750	750	11	2010	850	1885	1320	1480	1000
F-1000	1000	15	2170	900	2060	1450	1560	1110
F-1500	1500	22	2445	1060	2350	1675	1725	1150
F-2000	2000	30		1180		1870	2040	1440
F-2500	2500	30	3020	1260	2780	1980	2180	1540
F-3600	3600	37		1750		2320	2400	1600
F-5000	5000	55	3132	2000	4670	2500	2400	2000



Cyclelect Nismix Pte. Ltd.

515 Yishun Industrial Park A, Singapore 768737
T: +65 6868 6000 • E: hello@nismix.com.sg
W: nismix.com.sg

70+ years of industrial powder and liquid mixer solutions, from concept to integration, empowering production plant owners.

